

PA-935A



MIXER/AMPLIFIER



FEATURES

- **HIGH POWER, LOW DISTORTION**
35W of RMS power, with less than 5% THD.
- **VERSATILE AND CONVENIENT**
Three mixable inputs: Mic 1, Mic 2/Aux, Mic 3/CD/Satellite.
- **CONFIGURABLE**
Mic 2/Aux and Mic 3/CD/Satellite are individually selectable.
- **TELEPHONE PAGING INPUT**
Telephone input for connection with telephone system.
- **PRIORITY MUTING**
Mic 2/Aux and Mic 3/CD/Satellite inputs mute when telephone paging and/or Mic 1 in use.
- **STONE CONTROL**
Separate Bass and Treble controls to tailor your sound.

SPECIFICATIONS

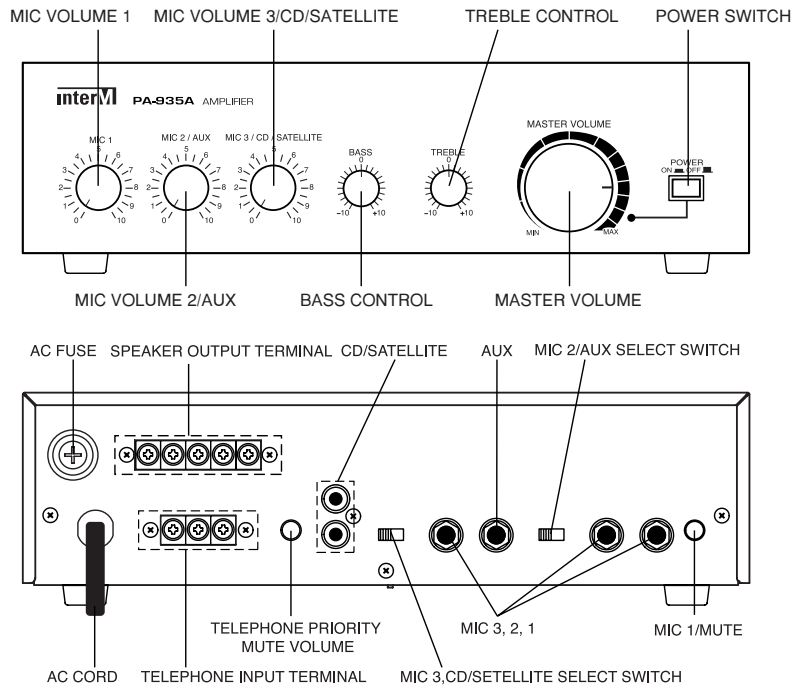
■ ELECTRICAL

- Rated Output Power (at T.H.D : 5%)35W (RMS)
- Frequency Response(±3dB) ..Mic 1, 2, 3:150Hz-12kHz
Aux:80Hz-15kHz
CD/Satellite:80Hz-15kHz
Telephone:330Hz-3kHz
- T.H.D(at Rated Output, 1kHz) Less Than 5%
- S/NMic 1, 2, 3:Better than 55dB
Aux, CD/Satellite, Telephone:Better than 65dB
- Input Sensitivity/Impedance.....Mic 1, 2, 3:-50dB/600Ω
Aux:-15dB/10kΩ
CD/Satellite:-3dB/10kΩ
Telephone:EC & Associated, JAPAN:0.775V/600Ω,
USA/Canada & Associated:0.3V/600Ω
- Output Voltage/ImpedanceEC & Associated, JAPAN
(4Ω /11.8V, 8Ω/16.7V, 140Ω/70V, 285Ω /100V)
USA/CANADA & Associated
(4Ω /11.8V, 8Ω / 16.7V, 18Ω /25V, 140Ω/70V)

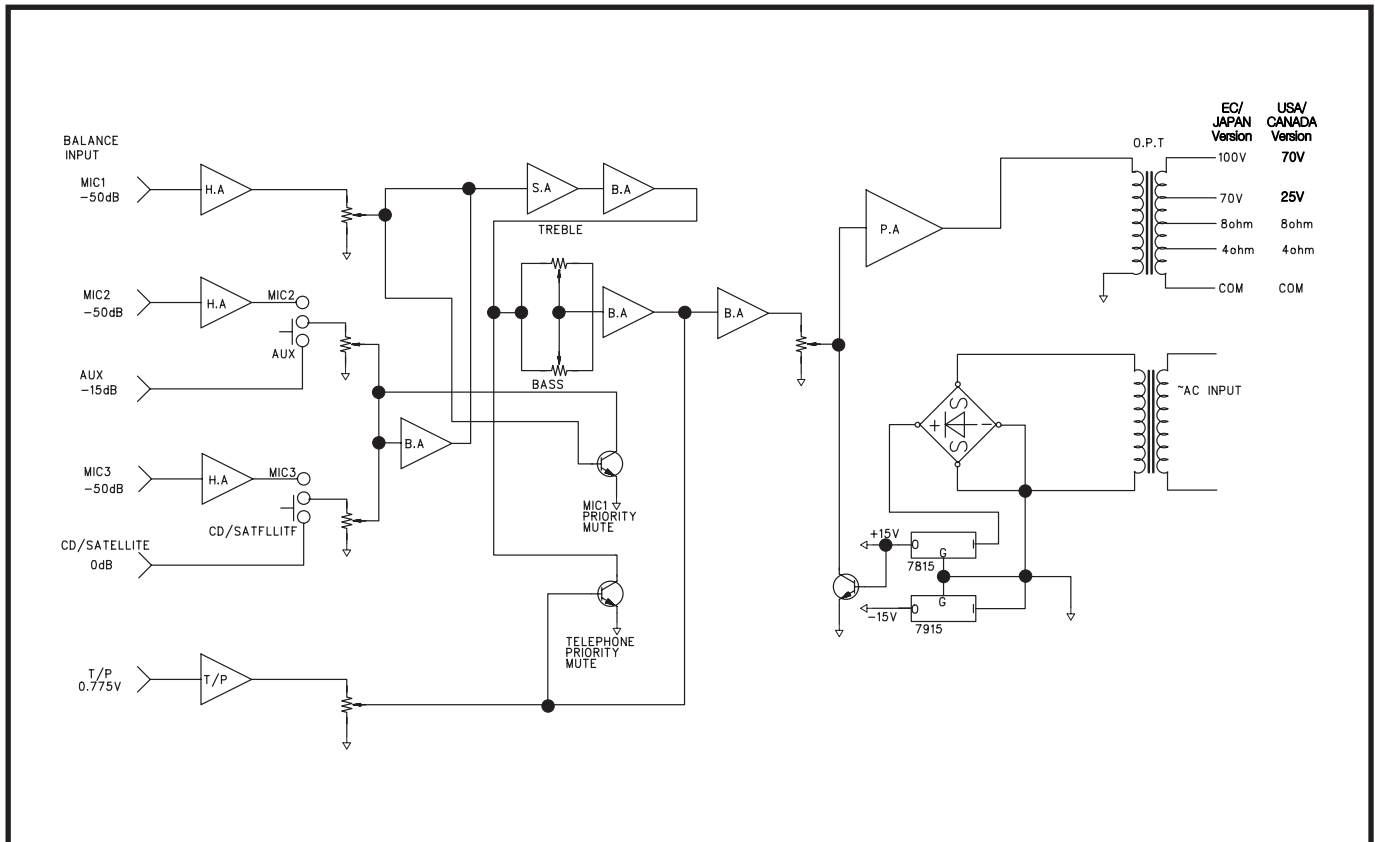
■ GENERAL

- Power Source....AC 100-120VAC or 220-240VAC, 50/60Hz
(supplied AC mains transformer depends on country requirements)
- Power Consumption40W
- Weight4.4kg/9.7lb
- Dimensions290(W)x76(H)x185(D)mm
11.4(W)x3(H)x7.3(D)in

PA-935A



BLOCK DIAGRAM



interM

OFFICE : 653-5 BANGHAK-DONG, DOBONG-KU, SEOUL, KOREA TEL : 82-2-2289-8140~8, FAX : 82-2-2289-8149
 Home page : <http://www.inter-m.com> E-mail : overseas@inter-m.com