

# Remote Amplifier with Zone Selector

# RM-616



## FEATURES

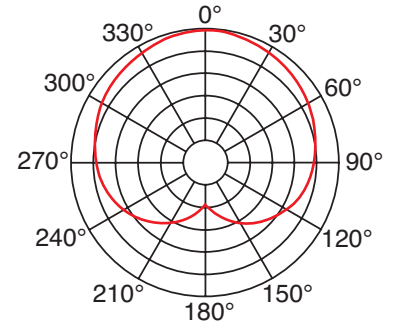
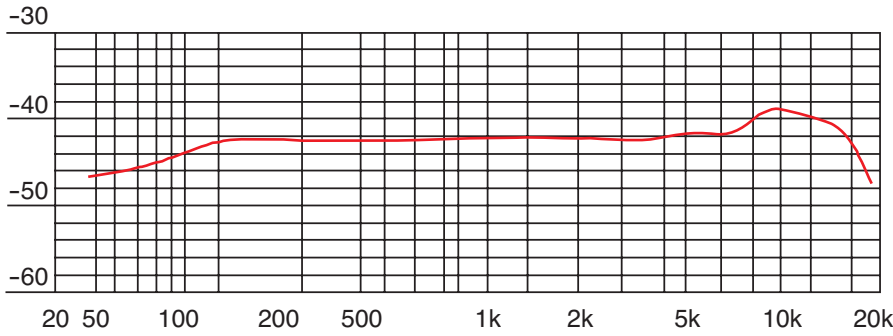
- SPEAKER LINE CONTROL**  
 Speaker line control can easily be achieved by connecting the RM-616 speaker control terminals to an Inter-M ECS-616 matrix unit.
- CHIME**  
 Four tone pre-announcement chime, activated by push button CHIME switch.
- OUTPUT LEVEL METER**  
 10 segments LED bar graph on the front panel that indicates instantaneous signal output level of the RM-616.
- MIC BROADCASTING**  
 Easy to use, highly sensitive condenser type MIC for clear broadcasting.

## SPECIFICATIONS

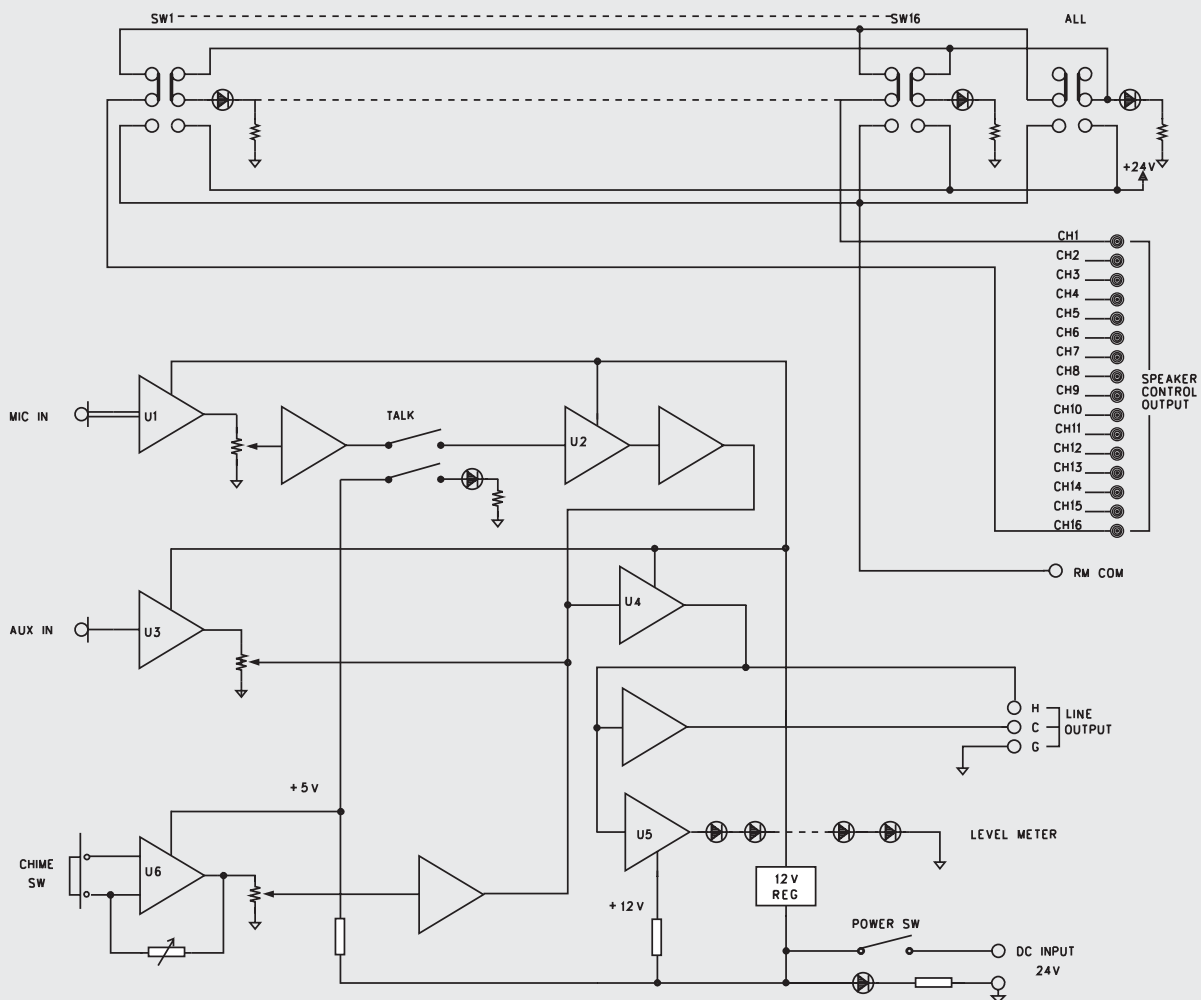
		RM-616
Output Level		1.2V ±200mV, BAL
Input Sensitivity/Impedance	MIC	-60dB/600Ω, BAL
	AUX	-20dB/10kΩ, UNBAL
Frequency Response (±3dB)	MIC	100Hz~15kHz
	AUX	80Hz~18kHz
T.H.D	MIC	Less than 0.5%
	AUX	Less than 0.3%
S/N	MIC	Better than 47dB
	AUX	Better than 50dB
Speaker Control Terminal & Switch		16 CH
Operation Temperature		-10°C ~ +40°C
Power Source		24V DC
Power Consumption		250mA
Weight (SET)		1.2kg/2.6lb (without MIC)
Dimensions (SET)		245(W)x60(H)x205(D)mm / 9.6(W)x2.3(H)x8(D)in

Specifications and design are subject to change without notice.

# RM-616



## BLOCK DIAGRAM



### Inter-M Corporation

- OFFICE: 653-5 BANGHAK-DONG, BANGHAK-KU, SEOUL, KOREA  
 - TEL: 82-2-2289-8140-8, FAX: 82-2-2289-8149

- Home page: <http://www.inter-m.com>  
 - E-mail: [overseas@inter-m.com](mailto:overseas@inter-m.com)  
 - Printed in Korea