



# DNH<sup>AS</sup>

**N-3770 Kragerø  
NORWAY**  
 Phone: .....(47) 35 98 56 00  
 Fax: .....(47) 35 98 56 10  
 E-mail: ..... dnh@dnh.no  
 Web-site: ..... www.dnh.no

**DNH WW Ltd.  
England** Phone:.....(44) 1908 275 000  
 Fax:.....(44) 1908 275 100  
 E-mail:.....dnh@dnh.co.uk

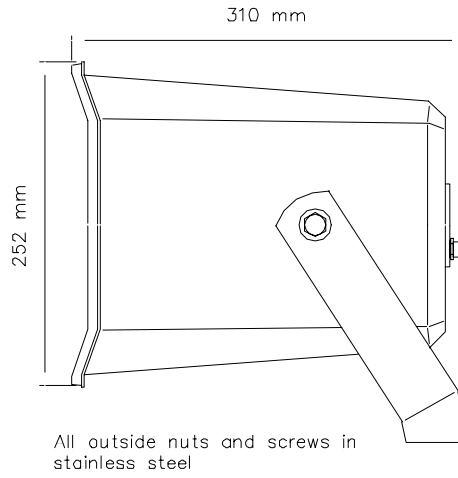
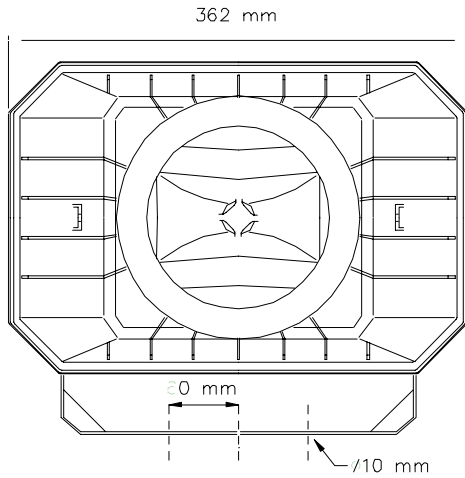
**DNH  
France** Phone:.....(33) 1 5380 0276  
 Fax:.....(33) 1 4588 1594  
 E-mail:.....etienne@dnh.no

**DNH GmbH  
Germany** Phone:.....(49) 040 6569 30-0  
 Fax:.....(49) 040 6569 30-30  
 E-mail:.....dnh@dnh.de

**DNH  
Speakers Inc.  
USA** Phone:.....(1) 484 494 5790  
 Fax:.....(1) 484 494 5793  
 E-mail:.....dnh@dnhspeakers.com

## MH-50 (T)

ISO 9001 CERTIFIED



Transformer:  
100 Volt line

Primary nominal  
tappings:

1 : 2	50,0 W
2 : 3	25,0 W
3 : 4	12,5 W
1 : 3	9,0 W
2 : 4	4,5 W
1 : 4	3,0 W
1 : 5	8Ω

1 = Red, 2 = Yellow  
 3 = Green, 4 = Blue  
 5 = Black

Sound pressure levels at different frequencies at 1W/1m  
 pink noise. 1/3 octave pink noise.



Material / Color .....ABS, Polypropylene / RAL 7035  
 Mounting ..... Aluminum bracket  
 Termination .....Screw terminals in termination chamber  
 Weight ..... 4,5 kg  
 IP-rating .....(12) 55  
 Max / min amb temp ..... 90°C / -40°C  
 Rated / max. power ..... 50 W / 80 W  
 SPL 1W/1m..... 104 dB  
 SPL rated power ..... 121 dB  
 Effective freq. range..... 140 – 16000 Hz  
 Dispersion (-6dB) 1kHz / 4kHz ..... 65° / 20°  
 Directivity factor, Q .....  
 Options .....Impedances, colors, labels

### Installation, Operation and Maintenance Procedures

- When mounting the loudspeaker please ensure that it is re-assembled in the same manner in which it was received. Fasten bracket with 2-3 screws.
- To change the position of the loudspeaker, adjust the bracket (by loosening / tightening the screws) as required.
- For optimum performance, always use the correct voltage / power and operate within the frequency limits as stated.
- Do not open loudspeaker when energized.
- Fasten termination chamber lid with a torque of 1-2 Nm.
- This loudspeaker is supplied with a 2 year warranty against defective materials and workmanship.

