



DNH^{AS}

**N-3770 Kragerø
NORWAY**
 Phone: (47) 35 98 56 00
 Fax: (47) 35 98 56 10
 E-mail: dnh@dnh.no
 Web-site: www.dnh.no

**DNH WW Ltd.
England**
 Phone:.....(44) 1908 275 000
 Fax:.....(44) 1908 275 100
 E-mail:.....dnh@dnh.co.uk

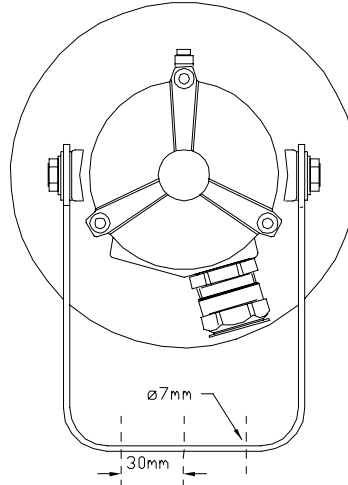
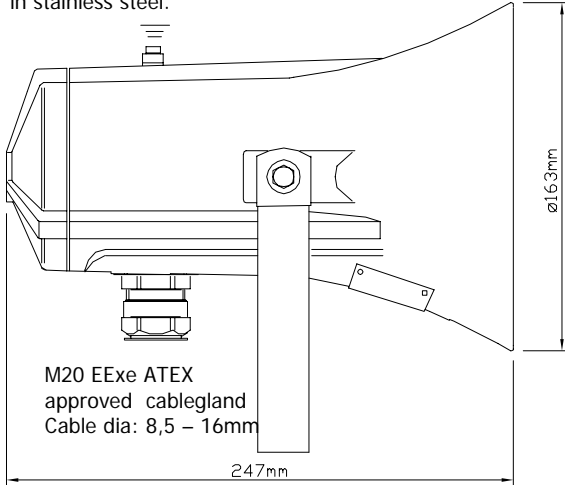
**DNH
France**
 Phone:.....(33) 1 5380 0276
 Fax:.....(33) 1 4588 1594
 E-mail:.....etienne@dnh.no

**DNH GmbH
Germany**
 Phone:.....(49) 040 6569 30-0
 Fax:.....(49) 040 6569 30-30
 E-mail:.....dnh@dnh.de

**DNH
Speakers Inc.
USA**
 Phone:.....(1) 484 494 5790
 Fax:.....(1) 484 494 5793
 E-mail:.....dnh@dnhspeakers.com

HS-15 EExdN(T)

Bracket and all outside nuts and screws
in stainless steel.



Transformer:
100 V line (optional 70V, 50V)

Primary nominal tapings:
 1 : 2 15,0 W
 2 : 3 7,5 W
 3 : 4 3,5 W
 1 : 3 2,8 W
 2 : 4 1,3 W
 1 : 4 0,7 W

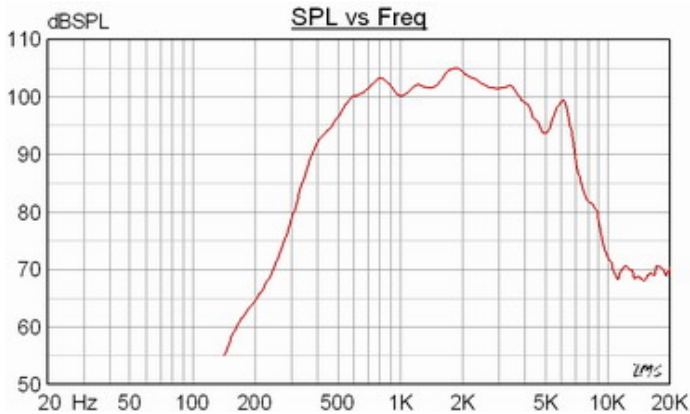
1 = Red, 2 = Yellow
3 = Green, 4 = Blue

Delivered with 1 x M20 ATEX approved cable gland and 1 x M20 ATEX approved blanking plug.

Certified by / Certification code / Number: NEMKO / EEx d IIB+H₂ T6 / 98 ATEX 104



Sound pressure levels at different frequencies at 1W/1m sine wave



Material / Color Aluminum alloy / RAL 7031
 Mounting Bracket
 Termination d-chamber, screw terminals
 Weight w/ transformer 2,8 kg
 IP-rating 67
 Max / min amb temp 40 °C / -20 °C
 Rated / max power 15 W / 15 W
 SPL 1W/1m 105 dB
 SPL rated power 116 dB
 Effective freq. range 410 – 7000 Hz
 Dispersion (-6dB) 1kHz / 4kHz 140° / 40°
 Options Impedances, colors, labels

Installation, Operation and Maintenance Procedures

- When mounting the loudspeaker please ensure that it is re-assembled in the same manner in which it was received. Fasten the bracket to wall with 1-3 screws and ensure to use all washers in the same position that the loudspeaker is delivered with. (To isolate the main body from the bracket)
- To change the position of the loudspeaker, please adjust the bracket (by loosening / tightening the screws) as required.
- For optimum performance, always use the correct voltage / power and operate within the frequency limits as stated.
- Use only certified/specified cable glands and blanking plugs.
- Do not open loudspeaker when energized.
- The aluminum surface of the loudspeaker should be regularly treated with paint at the same interval as with other similar outdoor equipment.
- Fasten lid screws with a torque of 2 - 3 Nm to assure the IP rating.
- If the Ex-loudspeaker is to be earthed, it must be done correctly using the specially marked screws.
- This loudspeaker is supplied with a 2 year warranty against defective materials and workmanship.

