



DNH^{AS}

N-3770 Kragerø
NORWAY
 Phone: (47) 35 98 56 00
 Fax: (47) 35 98 56 10
 E-mail: dnh@dnh.no
 Web-site: www.dnh.no

DNH WW Ltd. Phone:.....(44) 1908 275 000
England Fax:.....(44) 1908 275 100
 E-mail:.....dnh@dnh.co.uk

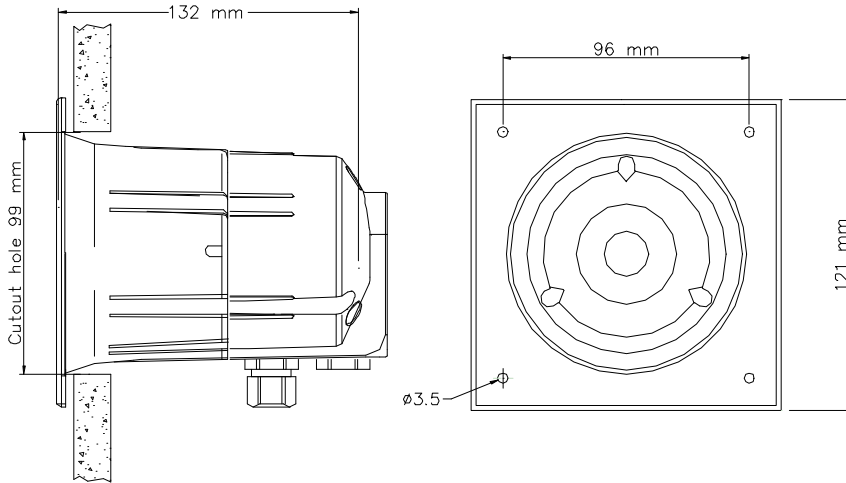
DNH Phone:.....(33) 1 5380 0276
France Fax:.....(33) 1 4588 1594
 E-mail:.....etienne@dnh.no

DNH GmbH Phone:.....(49) 040 6569 30-0
Germany Fax:.....(49) 040 6569 30-30
 E-mail:.....dnh@dnh.de

DNH Phone:.....(1) 484 494 5790
Speakers Inc. Fax:.....(1) 484 494 5793
USA E-mail:.....dnh@dnhspeakers.com

HPS-6C(T)

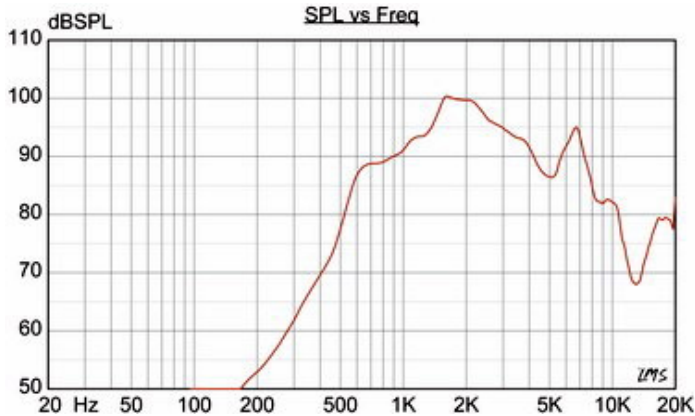
ISO 9001 CERTIFIED



Transformer : Combined
 70 / 100 Volt line
 (White) : (Green) 70V
 (White) : (Red) 100V

Secondary nominal tapings:
 C : 6 6W
 C : 3 3W
 C : 1,5 1,5W
 C : 0,5 0,5 W

Sound pressure levels at different frequencies at 1W/1m
 sine wave.



Material / Color....Polyamide V0 halogen free / RAL 7035
 Mounting Insertion
 Termination Inside screw terminal
 Weight w/ transformer 0,8 kg
 IP-rating 67
 Max / min amb temp 90 °C / -40 °C
 Rated / max power 6 W / 15 W
 SPL 1W/1m 100 dB
 SPL rated power 107 dB
 Effective freq range 500 – 7500 Hz
 Dispersion (-6dB) 1kHz / 4kHz 170° / 70°
 Directivity factor, Q (2kHz) 4,3
 Options Impedances, colors, labels

Installation, Operation and Maintenance Procedures

- Install loudspeaker onto wall or ceiling with 4 screws, cut out hole according to drawing.
- For optimum performance, always use the correct voltage / power and operate within the frequency limits as stated.
- Fasten lid with a torque of 1 - 2 Nm, (when delivered without cable).
- Connect cable into a suitable junction box.
- This loudspeaker is supplied with a 2 year warranty against defective materials and workmanship.

