



DNH^{AS}

**N-3770 Kragerø
NORWAY**
 Phone: (47) 35 98 56 00
 Fax: (47) 35 98 56 10
 E-mail: dnh@dnh.no
 Web-site: www.dnh.no

**DNH WW Ltd.
England**
 Phone:.....(44) 1908 275 000
 Fax:.....(44) 1908 275 100
 E-mail:.....dnh@dnh.co.uk

**DNH
France**
 Phone:.....(33) 1 5380 0276
 Fax:.....(33) 1 4588 1594
 E-mail:.....etienne@dnh.no

**DNH GmbH
Germany**
 Phone:.....(49) 040 6569 30-0
 Fax:.....(49) 040 6569 30-30
 E-mail:.....dnh@dnh.de

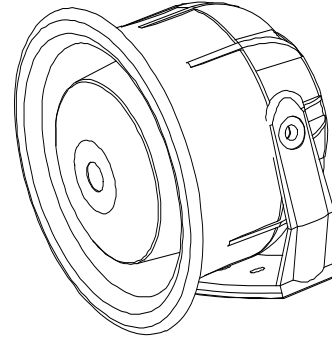
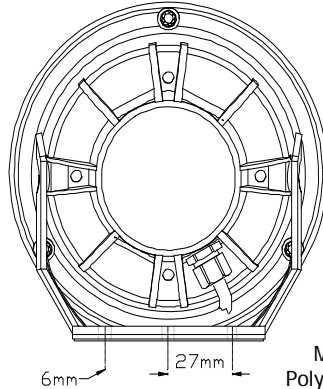
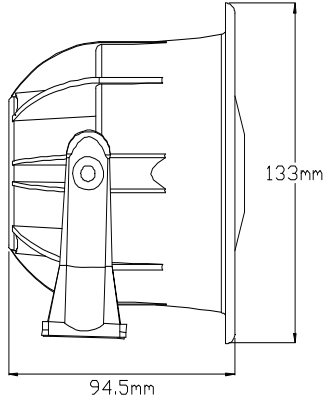
**DNH
Speakers Inc.
USA**
 Phone:.....(1) 484 494 5790
 Fax:.....(1) 484 494 5793
 E-mail:.....dnh@dnhspeakers.com

HP-8(T)

ISO 9001 CERTIFIED

All outside nuts and bolts in stainless steel

3 flush mounted holes for insertion mounting



M12
Polyamide
Cable diameter:
2.5 - 6.5 mm

Insertion Cut out Diameter: Ø111 mm

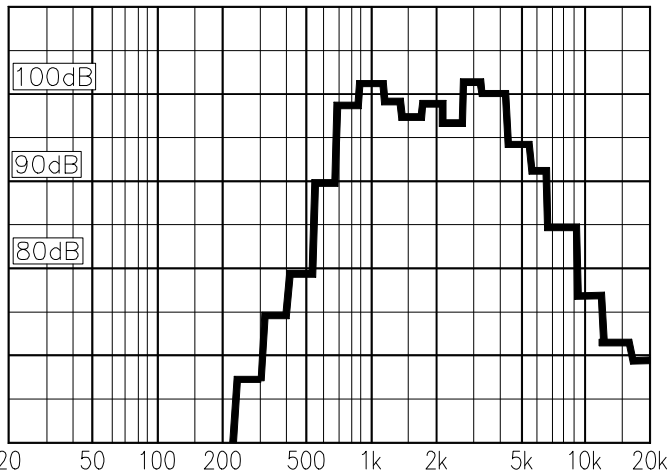
Transformer:
100 Volt line

Primary nominal
tappings:

1 : 2	8,0 W
2 : 3	4,0 W
3 : 4	2,0 W
1 : 3	1,5 W
2 : 4	0,7 W
1 : 4	0,4 W

1 = Red, 2 = Yellow
3 = Green, 4 = Blue

Sound pressure levels at different frequencies at 1W/1m pink noise.



Material / Colour Polyamide / RAL 7035
 Mounting Bracket or insertion
 Termination 0,5 m cable
 Weight 0,75 kg
 IP-rating 67
 Max. / min. amb. temp 150 °C / -50 °C
 Rated / max. power 8 W / 15 W
 SPL 1W/1m 101 dB
 SPL rated power 110 dB
 Effective freq. range 600 – 7500 Hz
 Dispersion (-6dB) 1kHz / 4kHz 160° / 50°
 Directivity factor, Q (2kHz) 6,0
 Options impedances, colors, labels

Installation, Operation and Maintenance Procedures

- For insertion mounting punch three screws through knockout holes
Fasten bracket with 2-3 screws.
- When mounting the loudspeaker bracket please ensure that it is re-assembled in the same manner in which it was received.
- To change the position of the loudspeaker please adjust the bracket (by loosening / tightening the screws) as required.
- For optimum performance, always use the correct voltage / power and operate within the frequency limits as stated.
- This loudspeaker is supplied with a 2 year warranty against defective workmanship.



DNH reserves the right to alter specifications without notice.

Rev.26.02.2008