



# DNH<sup>AS</sup>

**N-3770 Kragerø  
NORWAY**  
 Phone: ..... (47) 35 98 56 00  
 Fax: ..... (47) 35 98 56 10  
 E-mail: ..... dnh@dnh.no  
 Web-site: ..... [www.dnh.no](http://www.dnh.no)

**DNH WW Ltd.  
England** Phone:.....(44) 1908 275 000  
 Fax:.....(44) 1908 275 100  
 E-mail:.....dnh@dnh.co.uk

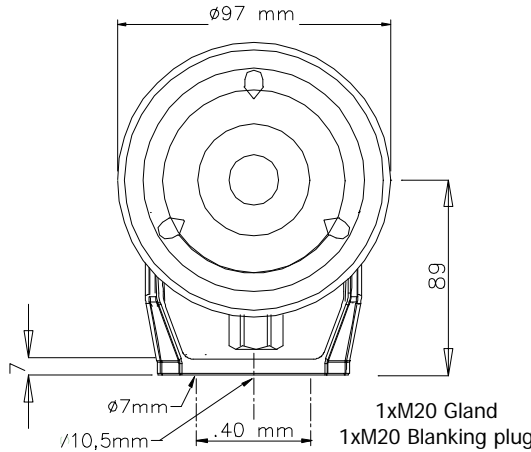
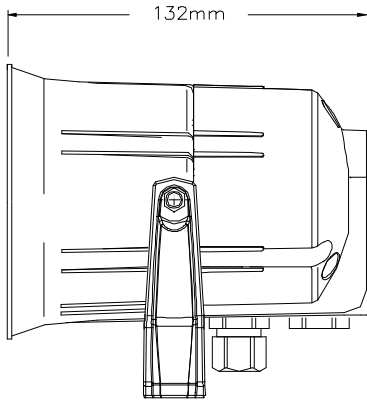
**DNH  
France** Phone:.....(33) 1 5380 0276  
 Fax:.....(33) 1 4588 1594  
 E-mail:.....etienne@dnh.no

**DNH GmbH  
Germany** Phone:.....(49) 040 6569 30-0  
 Fax:.....(49) 040 6569 30-30  
 E-mail:.....dnh@dnh.de

**DNH  
Speakers Inc.  
USA** Phone:.....(1) 484 494 5790  
 Fax:.....(1) 484 494 5793  
 E-mail:.....dnh@dnhspeakers.com

## HP-6 C(T)

ISO 9001 CERTIFIED



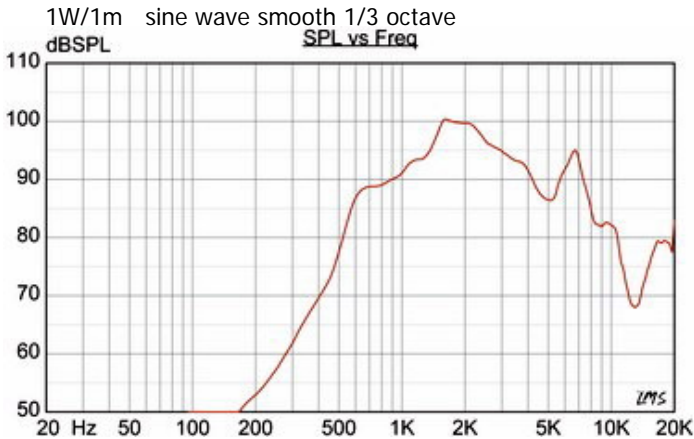
Transformer : Combined  
 70 / 100 Volt line  
 (White) : (Green) 70V  
 (White) : (Red) 100V

Secondary nominal tapings:  
 C : 6 6W  
 C : 3 3W  
 C : 1,5 1,5W  
 C : 0,5 0,5 W

All outside nuts and screws in stainless steel.

Cable diameter:  
 6 - 12 mm

Material / Color .....Polyamide UL94 V0 / RAL 7035



Mounting ..... Bracket  
 Termination ..... Inside screw terminal  
 Weight w/ transformer ..... 0,8 kg  
 IP-rating (UL equivalent) ..... 67  
 Max / min amb temp ..... 90 °C / -40 °C  
 Rated / max power ..... 6 W / 15 W  
 SPL 1W/1m..... 100 dB  
 SPL rated power ..... 107 dB  
 Effective freq range..... 500 – 7500 Hz  
 Dispersion (-6dB) 1kHz / 4kHz ..... 170° / 70°  
 Options ..... Impedances, colors, labels

### Installation, Operation and Maintenance

#### Procedures

- Remove lid to connect to terminal
- Fasten bracket with 2 screws.
- To change the position of the loudspeaker, please adjust the bracket (by loosening / tightening the screws) as required.
- For optimum performance, always use the correct voltage / power and operate within the frequency limits as stated.
- Fasten lid with a torque of 1 - 2 Nm
- This loudspeaker is supplied with a 2 year warranty against defective materials and workmanship.

