



DNH^{AS}

**N-3770 Kragerø
NORWAY**
 Phone: (47) 35 98 56 00
 Fax: (47) 35 98 56 10
 E-mail: dnh@dnh.no
 Web-site: www.dnh.no

**DNH WW Ltd.
England** Phone:.....(44) 1908 275 000
 Fax:.....(44) 1908 275 100
 E-mail:.....dnh@dnh.co.uk

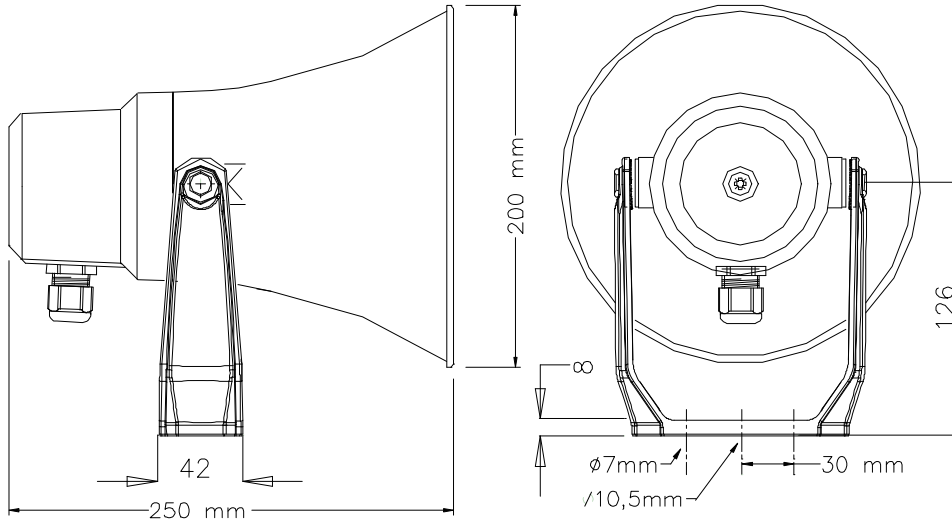
**DNH
France** Phone:.....(33) 1 5380 0276
 Fax:.....(33) 1 4588 1594
 E-mail:.....etienne@dnh.no

**DNH GmbH
Germany** Phone:.....(49) 040 6569 30-0
 Fax:.....(49) 040 6569 30-30
 E-mail:.....dnh@dnh.de

**DNH
Speakers Inc.
USA** Phone:.....(1) 484 494 5790
 Fax:.....(1) 484 494 5793
 E-mail:.....dnh@dnhspeakers.com

HP-15(T)

ISO 9001 CERTIFIED

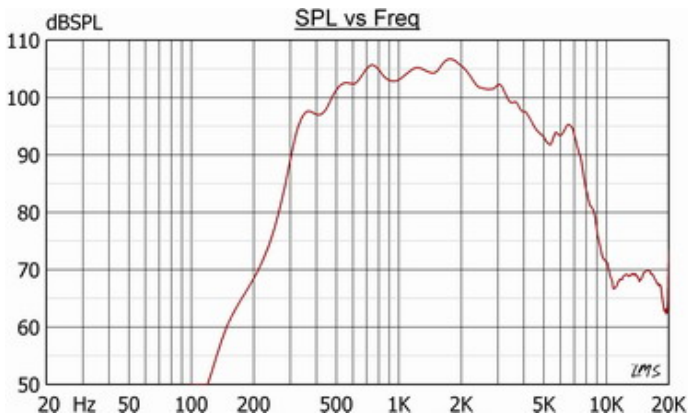


70/100 volt Combined Transformer:

Primary connections:
 5 : 7 70 Volt line
 5 : 8 100 Volt line

Secondary nominal tapings:
 C : 4 15,0 W
 C : 3 7,5 W
 C : 2 4,0 W
 C : 1 2,0 W

Sound pressure levels at different frequencies at 1W/1m sine wave



Material / Color ASA / RAL 7035
 Mounting Bracket
 Termination Inside screw connections
 Weight 1,7 kg
 IP-rating 56
 Max. / min. amb. temp 90 °C / -50 °C
 Rated / max. power 15 W / 20 W
 SPL 1W/1m 108 dB
 SPL rated power 118 dB
 Effective freq. range 330 – 8000 Hz
 Dispersion (-6dB) 1kHz / 4kHz 130° / 35°
 Directivity factor, Q (2kHz) 8,3
 Options Impedances, colors, labels

Installation, Operation and Maintenance Procedures

- When mounting the loudspeaker please ensure that it is re-assembled in the same manner in which it was received. Fasten the bracket with 1-3 screws and ensure to use all washers in the intended position to assure the IP rating.
- To change the position of the loudspeaker please adjust the bracket (by loosening / tightening the screws) as required.
- For optimum performance, always use the correct voltage / power and operate within the frequency limits as stated.
- Do not open loudspeaker when energized.
- Fasten lid with a torque of 1 - 2 Nm.
- This loudspeaker is supplied with a 2 year warranty against defective workmanship.



DNH reserves the right to alter specifications without notice.

Rev.16.10.2008