



# DNH<sup>AS</sup>

**N-3770 Kragerø  
NORWAY**  
 Phone: ..... (47) 35 98 56 00  
 Fax: ..... (47) 35 98 56 10  
 E-mail: ..... dnh@dnh.no  
 Web-site: ..... [www.dnh.no](http://www.dnh.no)

**DNH WW Ltd.  
England**

Phone:.....(44) 1908 275 000  
 Fax:.....(44) 1908 275 100  
 E-mail:.....dnh@dnh.co.uk

**DNH  
France**

Phone:.....(33) 1 5380 0276  
 Fax:.....(33) 1 4588 1594  
 E-mail:.....etienne@dnh.no

**DNH GmbH  
Germany**

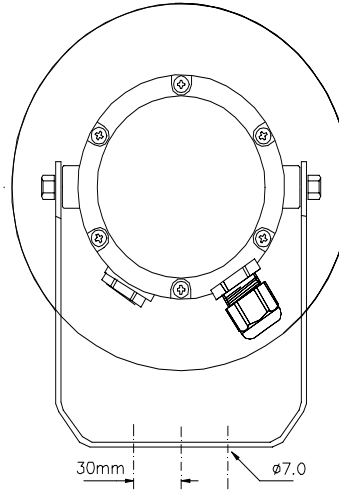
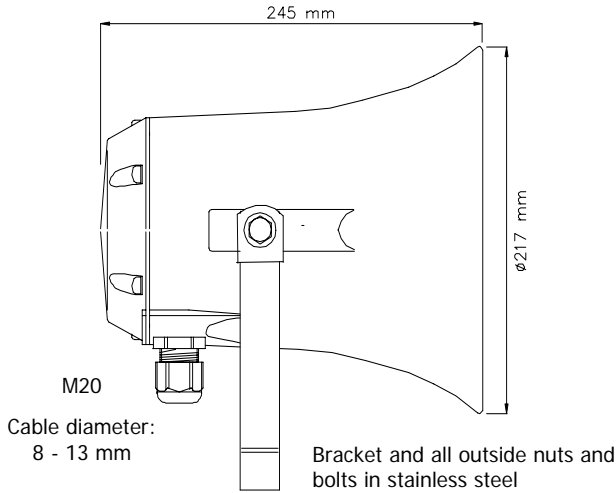
Phone:.....(49) 040 6569 30-0  
 Fax:.....(49) 040 6569 30-30  
 E-mail:.....dnh@dnh.de

**DNH  
Speakers Inc.  
USA**

Phone:.....(1) 484 494 5790  
 Fax:.....(1) 484 494 5793  
 E-mail:.....dnh@dnhspeakers.com

## H-66(T)

ISO 9001 CERTIFIED



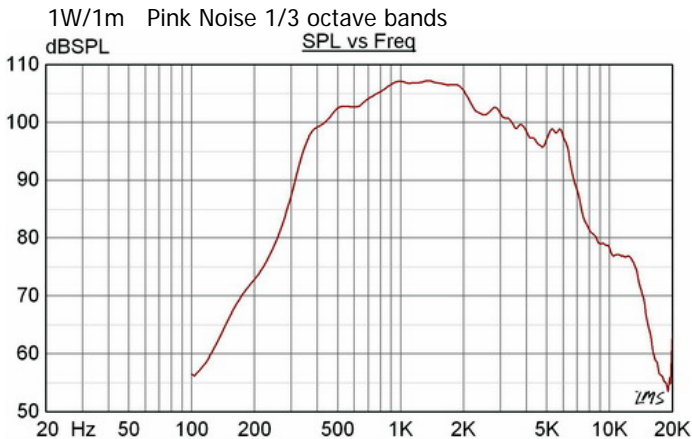
70/100 volt Combined  
Transformer:

6 : 8    70 Volt line  
 6 : 9    100 Volt line

Secondary nominal  
tappings:

1 : 4    25,0 W  
 1 : 3    12,5 W  
 2 : 4    8,0 W  
 1 : 2    7,0 W  
 3 : 4    3,0 W  
 2 : 3    1,7 W

6 = White, 8 = Green  
 9 = Red



Material / Color ..... Aluminum alloy / RAL 7031  
 Mounting ..... Bracket  
 Termination ..... internal screw terminals  
 Weight ..... 3,9 kg  
 IP-rating ..... 67  
 Max / min amb temp ..... 150 °C / -50 °C  
 Rated / max power ..... 25 W / 30 W  
 SPL 1W/1m ..... 109 dB  
 SPL rated power ..... 122 dB  
 Effective freq range ..... 300 – 7000 Hz  
 Dispersion (-6dB) 1kHz / 4kHz ..... 115° / 30°  
 Directivity factor, Q .....  
 Options ..... Impedances, colors, labels

### Installation, Operation and Maintenance Procedures

- When mounting the loudspeaker please ensure that it is re-assembled in the same manner in which it was received.
- Fasten bracket by 1-3 screws.
- To change the position of the loudspeaker, please adjust the bracket (by loosening / tightening the screws) as required.
- For optimum performance, always use the correct voltage / power and operate within the frequency limits as stated.
- Do not open loudspeaker when energized.
- The aluminum surface of the loudspeaker should be regularly treated with paint at the same interval as with other similar outdoor equipment.
- Fasten lid with a torque of 2 - 3 Nm.
- This loudspeaker is supplied with a 2 year warranty against defective materials and workmanship.

