



# DNH<sup>AS</sup>

N-3770 Kragerø  
NORWAY

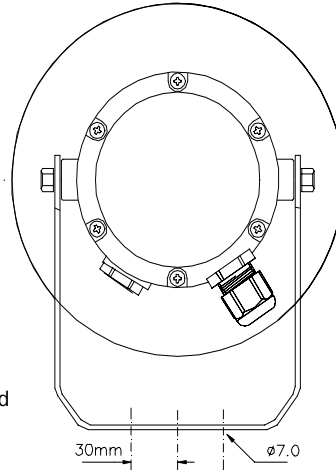
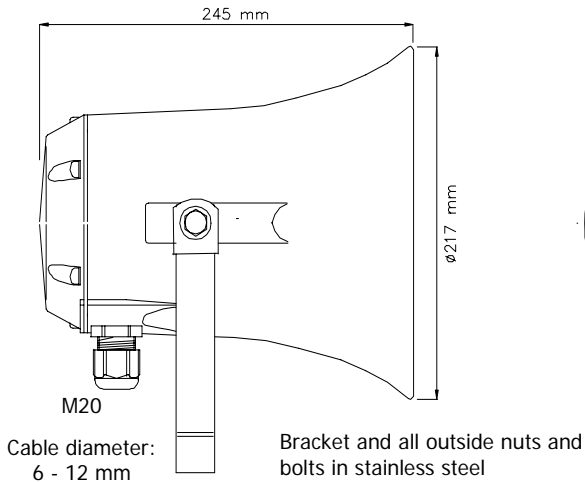
Phone: ..... (47) 35 98 56 00  
Fax: ..... (47) 35 98 56 10  
E-mail: ..... dnh@dnh.no  
Web-site:..... [www.dnh.no](http://www.dnh.no)

ISO 9001 CERTIFIED

## H-66 FH(T)

**DNH WW Ltd. England** Phone: .....(44) 1908 275 000  
Fax: .....(44) 1908 275 100  
E-mail: ..... dnh@dnh.co.uk

**DNH GmbH Germany** Phone: ..... (49) 040 6569 30-0  
Fax: .....(49) 040 6569 30-30  
E-mail: ..... dnh@dnh.de

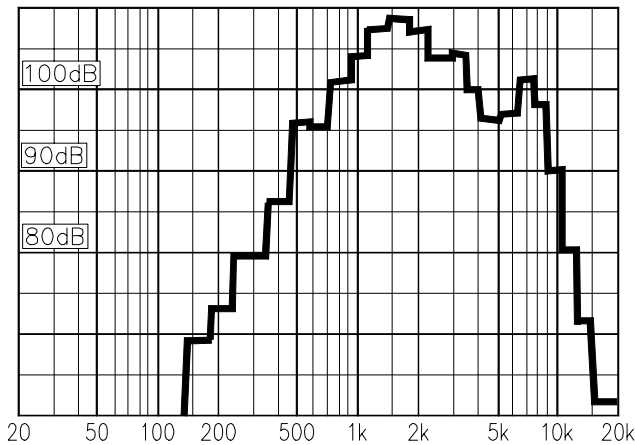


Transformer:  
100 Volt line

Secondary nominal  
tappings:

1 : 4	50 W
1 : 3	25 W
2 : 4	20 W
1 : 2	15 W
3 : 4	8,0 W
2 : 3	4,0 W

1W/1m Pink Noise 1/3 octave bands



Material / Colour ..... Aluminium alloy (LM-6) / RAL 7031  
Mounting ..... Bracket  
Termination ..... Internal screw terminals  
Weight ..... 3,7 kg  
IP-rating ..... 67  
Max. / min. amb. temp ..... 150 °C / -50 °C  
Standard version ..... 100 V transformer  
Rated / max. power ..... 50 W / 80 W  
SPL 1W/1m ..... 109 dB  
SPL rated power ..... 125 dB  
Effective freq. range ..... 300 – 7000 Hz  
Dispersion (-6dB) 1kHz / 4kHz ..... 115° / 30°  
Directivity factor, Q .....

### Installation, Operation and Maintenance Procedures

- When mounting the loudspeaker please ensure that it is re-assembled in the same manner in which it was received.
- To change the position of the loudspeaker please adjust the bracket (by loosening / tightening the screws) as required.
- For optimum performance, always use the correct voltage / power and operate within the frequency limits as stated.
- Do not open loudspeaker when energized.
- The loudspeaker should be checked on a regular basis to avoid any build up of debris.
- Fasten lid with a torque of 2 - 3 Nm.
- This loudspeaker is supplied with a 2 year warranty against defective workmanship.

Most of our products are available in different colors, impedances and power ratings.

