



DNH^{AS}

N-3770 Kragerø
NORWAY
 Phone: (47) 35 98 56 00
 Fax:
 47) 35 98 56 10
 E-mail: dnh@dnh.no
 Web-site: **www.dnh.no**

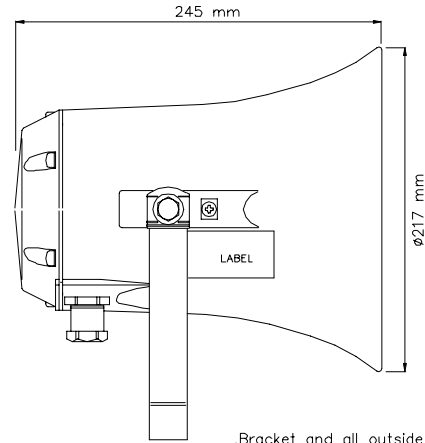
DNH WW Ltd. Phone:.....(44) 1908 275 000
England Fax:.....(44) 1908 275 100
 E-mail:.....dnh@dnh.co.uk

DNH Phone:.....(33) 1 5380 0276
France Fax:.....(33) 1 4588 1594
 E-mail:.....etienne@dnh.no

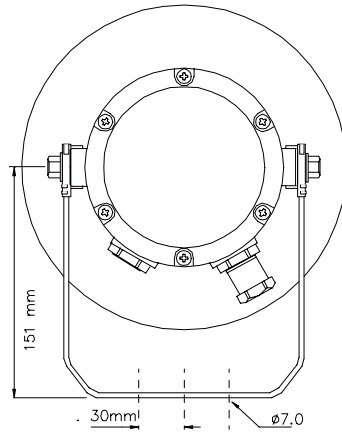
DNH GmbH Phone:.....(49) 040 6569 30-0
Germany Fax:.....(49) 040 6569 30-30
 E-mail:.....dnh@dnh.de

DNH Phone:.....(1) 484 494 5790
Speakers Inc. Fax:.....(1) 484 494 5793
USA E-mail:.....dnh@dnhspeakers.com

H-60 EExeN(T)



.Bracket and all outside nuts and screws in stainless steel.



M20 EExe ATEX approved cable gland and blind plug. Cable dia: 8 - 13mm

Transformer:
100 V line (options 70V, 50V)

From speaker:
Yellow to black
Primary nominal tappings:
1 : 2 20,0 W
1 : 3 10,0 W
1 : 4 5,0 W

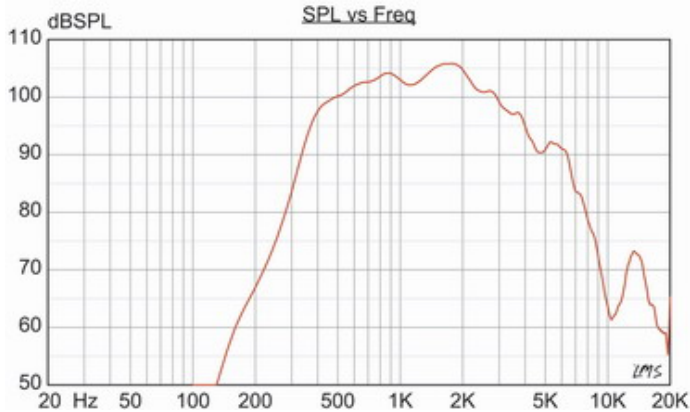
From speaker:
Yellow to white
Primary nominal tappings:
1 : 2 2,5 W
1 : 3 1,2 W
1 : 4 0,6 W

1 = Red, 2 = Yellow
3 = Green, 4 = Blue

Certified by / Certification code / Number: NEMKO / EEx de IIB+H₂ T5 / 01 ATEX 046
 Certified by / Certification code / Number: NEMKO / EEx de IIC T5 / 01 ATEX 046



1W/1m sine wave smooth 1/3 octave IIB+H₂ version



IIB IIC

Material / Color Aluminum alloy SS4263 / RAL 7031
 Mounting Bracket
 Termination e-chamber, screw terminals
 Weight 5,0 kg
 IP-rating (UL equivalent) 67
 Max / min amb temp 50°C / -50°C
 Rated / max power 20 W / 20 W
 SPL 1W/1m 106 dB 101 dB
 SPL rated power 117 dB 114 dB
 Effective freq. range 370 - 6000 Hz 400-5000
 Dispersion (-6dB) 1kHz / 4kHz 125° / 35° 105° / 35°
 Directivity factor, Q
 Options Impedances, colors, labels

Installation, Operation and Maintenance Procedures

- When mounting the loudspeaker please ensure that it is re-assembled in the same manner in which it was received. Fasten the bracket with 2 screws and ensure to use all washers in the intended position. (To isolate the main body from the bracket)
- To change the position of the loudspeaker, please adjust the bracket (by loosening / tightening the screws) as required.
- For optimum performance, always use the correct voltage / power and operate within the frequency limits as stated.
- Use only certified/specified cable glands and blanking plugs.
- Do not open loudspeaker when energized.
- The loudspeaker should be checked on a regular basis to avoid any build up of debris.
- The aluminum surface of the loudspeaker should be regularly treated with paint at the same interval as with other similar outdoor equipment.
- Fasten lid screws with a torque of 2 - 3 Nm to assure the IP rating.
- If the Ex-loudspeaker is to be earthed, it must be done correctly using the specially marked screws.
- This loudspeaker is supplied with a 2-year warranty against defective materials and workmanship.



DNH reserves the right to alter specifications without notice.

Rev. 09.02.2007