



DNH^{AS}

**N-3770 Kragerø
NORWAY**
 Phone: (47) 35 98 56 00
 Fax: (47) 35 98 56 10
 E-mail: dnh@dnh.no
 Web-site: www.dnh.no

**DNH WW Ltd.
England**
 Phone:.....(44) 1908 275 000
 Fax:.....(44) 1908 275 100
 E-mail:.....dnh@dnh.co.uk

**DNH
France**
 Phone:.....(33) 1 5380 0276
 Fax:.....(33) 1 4588 1594
 E-mail:.....etienne@dnh.no

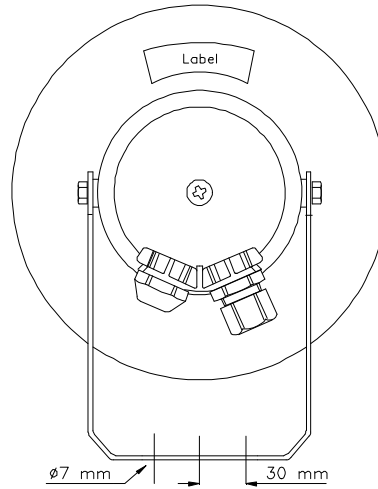
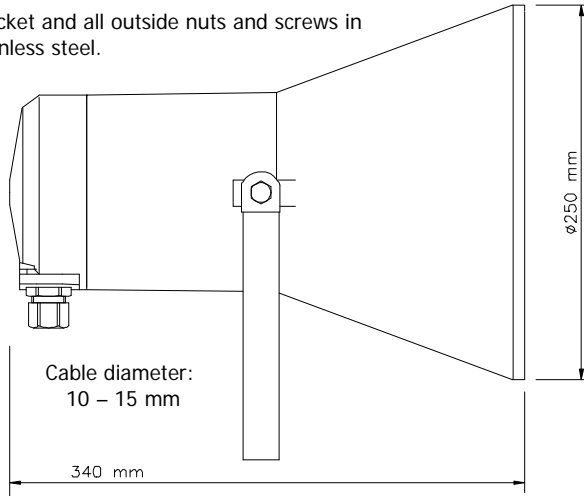
DSP-25 EExmN(T)

**DNH GmbH
Germany**
 Phone:.....(49) 040 6569 30-0
 Fax:.....(49) 040 6569 30-30
 E-mail:.....dnh@dnh.de

**DNH
Speakers Inc.
USA**
 Phone:.....(1) 484 494 5790
 Fax:.....(1) 484 494 5793
 E-mail:.....dnh@dnhspeakers.com

ISO 9001 CERTIFIED

Bracket and all outside nuts and screws in stainless steel.



Transformer:
100 V line (optional 70V, 50V)

Primary nominal tapings:

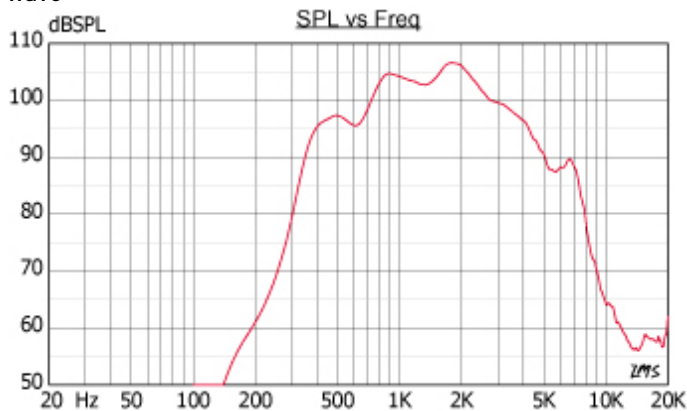
1 : 2	25,0 W
2 : 3	12,5 W
3 : 4	6,0 W
1 : 3	4,0 W
2 : 4	2,0 W
1 : 4	1,0 W

Delivered with Hawke 1 x M20 EExe ATEX cable gland and 1 x M20 Hawke EExe ATEX blanking plug.

Certified by / Certification code / Number: NEMKO / EEx dem IIB+H₂ T5 / 01 ATEX 235
 Certified by / Certification code / Number: NEMKO / EEx dem IIC T5 / 01 ATEX 235



Sound pressure levels at different frequencies at 1W/1m sine wave



	IIB	IIC
Material / Color	Anti-static polyamide / Black	
Mounting	Bracket	
Termination	e-chamber, screw terminals	
Weight w/ transformer	4,0 kg	
IP-rating	66	
Max / min amb temp	55 °C / -53 °C	
Rated / max power	25 W / 25 W	
SPL 1W/1m.....	106 dB	102 dB
SPL rated power	117 dB	113 dB
Effective freq range.....	370 – 7000 Hz	400-7000
Dispersion (-6dB) 1kHz / 4kHz	110° / 30°	100° / 30°
Options.....	Impedances, moulded permanent cable, labels	

Installation, Operation and Maintenance Procedures

- When mounting the loudspeaker please ensure that it is re-assembled in the same manner in which it was received. Fasten bracket with 1-3 screws.
- To change the position of the loudspeaker, please adjust the bracket (by loosening / tightening the screws) as required.
- For optimum performance, always use the correct voltage / power and operate within the frequency limits as stated.
- Use only certified/specified cable glands and blanking plugs.
- Do not open loudspeaker when energized.
- Fasten lid with a torque of 1 - 2 Nm.
- This loudspeaker is supplied with a 2 year warranty against defective materials and workmanship.

