



# DNH<sup>AS</sup>

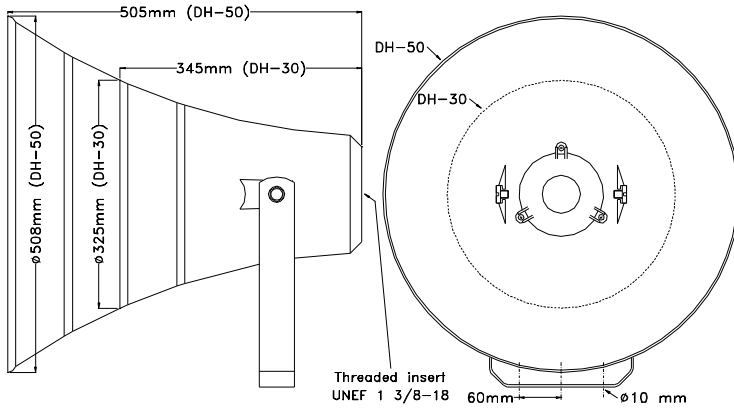
**N-3770 Kragerø  
NORWAY**  
Phone: ..... (47) 35 98 56 00  
Fax: ..... (47) 35 98 56 10  
E-mail: ..... dnh@dnh.no  
Web-site: ..... **www.dnh.no**

**DNH WW Ltd.  
England**  
Phone:.....(44) 1908 275 000  
Fax:.....(44) 1908 275 100  
E-mail:.....dnh@dnh.co.uk

**DNH GmbH  
Germany**  
Phone:.....(49) 040 6569 30-0  
Fax:.....(49) 040 6569 30-30  
E-mail:.....dnh@dnh.de

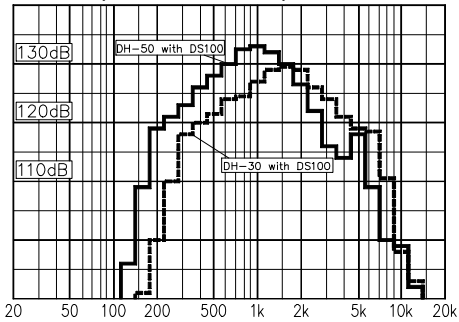
**DNH  
Speakers Inc.  
USA**  
Phone:.....(1) 484 494 5790  
Fax:.....(1) 484 494 5793  
E-mail:.....dnh@dnhspeakers.com

ISO 9001 CERTIFIED



Stainless steel  
bracket

100W/1m Pink Noise 1/3 octave bands



Material / Colour ..Fiberglass laminated polyester / RAL 7035  
Mounting.....Bracket  
Termination.....  
Weight DH-30 / DH-50 ..... 3,6 kg / 5,15 kg  
IP-rating.....  
Max. / min. amb. temp .....  
Standard version .....  
Rated / max. power .....  
SPL 1W/1m .....  
SPL rated power .....  
Effective freq. range.....  
Dispersion (-6dB) 1kHz / 4kHz.....  
Directivity factor, Q .....  
Options.....Impedances, colors, labels

## Installation, Operation and Maintenance Procedures

- To change the position of the horn please adjust the bracket (by loosening / tightening the screws) as required.
- This horn is supplied with a 2 year warranty against defective workmanship.

